

## Bed with Drawer at Foot End Assembly Instructions

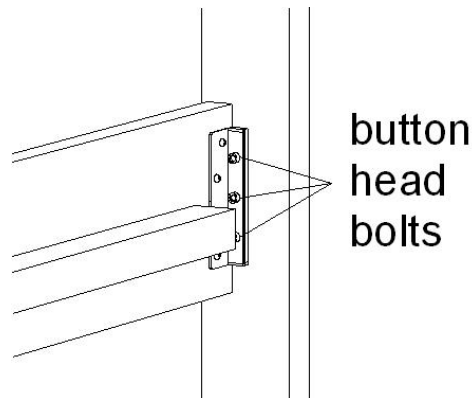
(please retain this instruction for future reference)

To assemble your bed you have been supplied with following hardware:

- 1 x Small Allen Key
- 6 x Button Head Bolts (Black – 15mm)
- 2 x Button Head Bolts (Black – 30mm)
- 2 x Screws 1 ¼"
- 2 x Washers

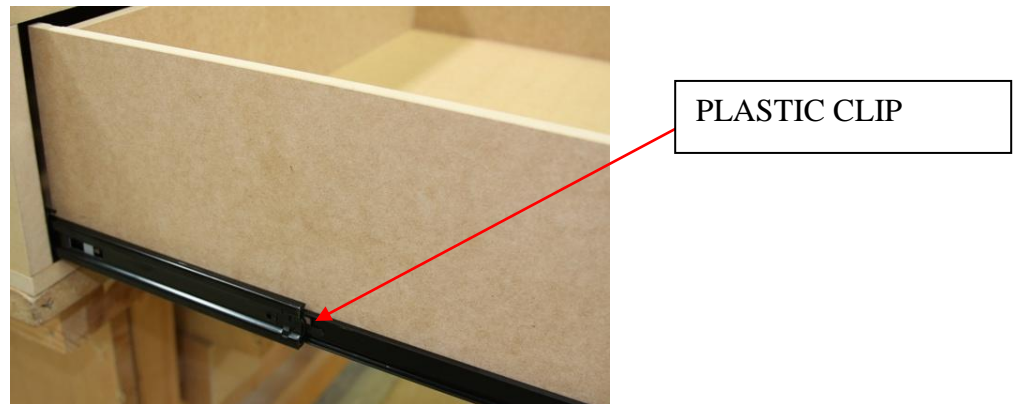
### STEP 1 – Attaching Side Rails to Bed Head

- Connect the side rails to the bed head by hooking the side rail brackets onto the head bracket
- Screw three button head bolts loosely into the holes on the bracket on the bed head
- Tighten the button head bolts – only finger tight



## STEP 2 – Attaching Drawer Section to the Side Rails

- Remove Drawers out of the drawer section – to do this, open drawer all the way out, depress plastic clip (NOTE: it needs to be pushed down on one side and up on the other!) which is visible inside drawer runner and remove drawer



- Repeat same procedure for the other drawer
- Using “cut out” handle on the drawer, lower drawer section between side rails onto the cleat
- Line up drawer section and the front edge of the side rails. Two holes inside drawer section are there for screwing button head bolts (black – 40mm) into side rails securing the position of the drawer section.
- Tighten the bolts with the small allen key. NOTE: Washers provided to be used in this step
- Put drawers back (two people recommended) this time you **DO NOT** have to pres plastic clip, just make sure you drawer runner components are lined up correctly. See diagram below.



slight tilt on top



slight tilt on bottom



straight - correct

## STEP 4 – Installing the Slats

- To install slats follow instructions attached to slat package ensure that you place the slat with hole in either end at the center of your bed. NOTE: You will be supplied 1 black support bar for the Queen and Double size Beds and 2 black support bars for the King size Bed!
- When finished we recommend that you use the 2 x 1 ¼" screws and screw through this slat into the cleats

### NOTES:

- Button head bolts should be regularly inspected and may need to be retightened after a period of time.
- **Never drag or move assembled bed as this may damage the bed**

### CARE & MAINTENANCE:

Your Silver Lynx product is crafted with care, properly maintained, it will mature over time developing a rich deep patina enhancing its appearance. To get the best performance from your Silver Lynx product, please follow the simple care instructions listed below.

- \* Do not use silicone based polishes/cleaners at any time.
- \* Dust surfaces gently with a feather duster then wipe gently with a slightly damp cloth/chamois.
- \* Do not allow liquids, damp clothes to remain in contact with lacquered surface for extended periods.
- \* Never place furniture in close proximity to heating outlets.
- \* Exposure to direct sunlight will cause color fading to fabrics, leathers and timber finishes.
- \* Do not allow solvents, abrasives or heated objects to come in contact with the suite.

Contact your retailer or our sales office for further information